

MES

Mobile Earth Station



Models:

FELCOM18

FELCOM19

MES

INMARSAT Mobile Earth Station

Proven solutions for Inm fully incorporated SSAS



Features of FELCOM18

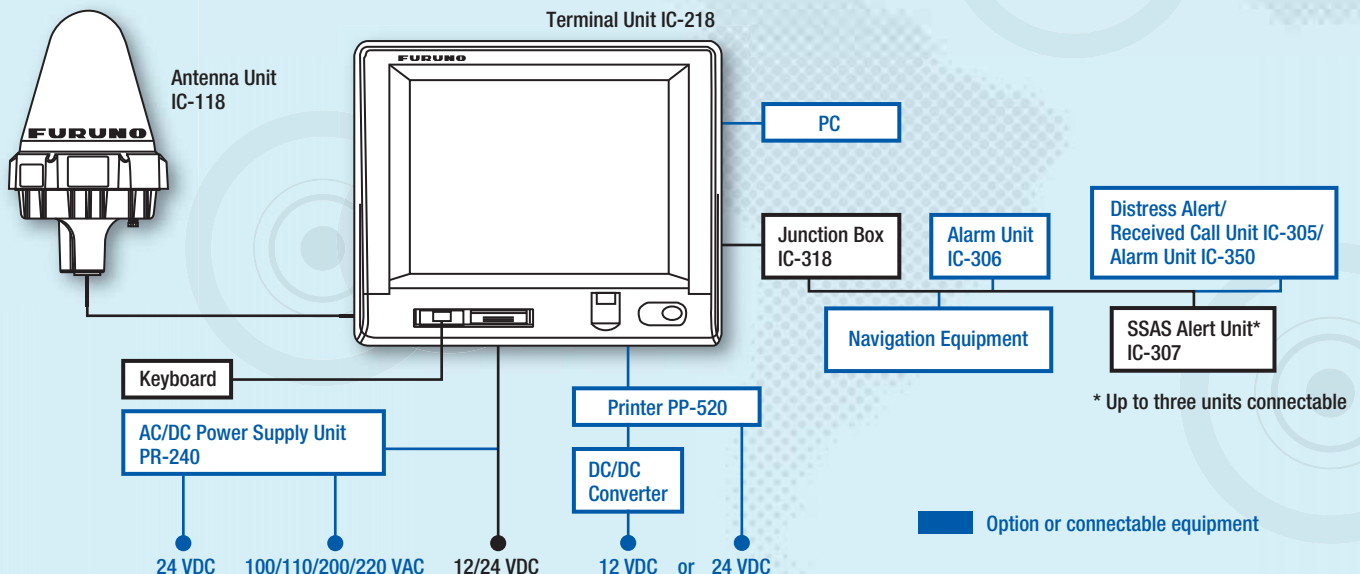
- ▶ Inmarsat-C Ship Earth Station terminal for GMDSS application
- ▶ Full GMDSS compliance with optional printer and AC/DC power supply
- ▶ SSAS capability with SSAS Alert Units
- ▶ Compatibility with LRIT application
- ▶ Compatible with the following standard:
IMO A.570(14), IMO A.664(16), IMO A.694(17), IMO A.807(19), IMO MSC.147(77), IMO MSC.36(63), IMO MSC.68(68) Annex 4, IMO MSC.97(73), IMO MSC.263.(84), MSC/Circ.862, IEC 60945 Ed. 4, IEC 61097-4 Ed. 2, IEC 61162-1 Ed. 4
- ▶ A wide variety of communication schemes available: telex, FAX, emailing, EGC, Data reporting/polling, etc.
- ▶ SD card for recording media
- ▶ GPS receiver (option)

Compatible with:



Model: FELCOM18

Interconnection Diagram



Inmarsat-C/Inmarsat MINI-C services and LRIT capabilities



Compatible with:

LRIT
Long-Range Identification and Tracking of ships

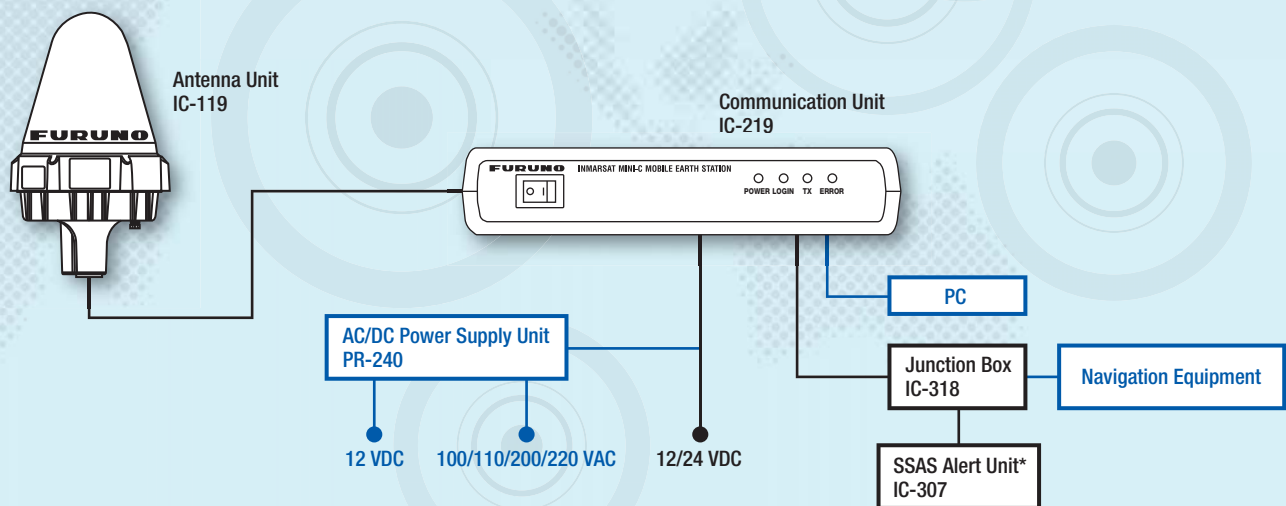
SSAS
Ship Security Alert System

Features of FELCOM19

- ▶ Inmarsat MINI-C Mobile Earth Station terminal
- ▶ Compatibility with LRIT application
- ▶ SSAS capability with SSAS Alert Units
- ▶ A wide variety of communication schemes available: telex, FAX, emailing, EGC (non-GMDSS), Data reporting/polling, etc.
- ▶ GPS receiver incorporated
- ▶ Black-box configuration allows flexible installation

Model: FELCOM19

Interconnection Diagram



Option or connectable equipment

* Up to three units connectable

SPECIFICATIONS

Product Name		Inmarsat-C Mobile Earth Station	Inmarsat MINI-C Mobile Earth Station
		FELCOM18	FELCOM19
Frequency	TX:	1626.5-1646.5 MHz	
	RX:	1537.0-1544.2 MHz	
Channel Spacing		5 kHz	
Modulation Rate and format	TX:	600, 1200 sps Unfiltered BPSK	
	RX:	1200 sps Unfiltered BPSK	
Minimum G/T		-23.0 dB/K (at elev. 5°)	
Output Power		12-16 dBW (at elev. 5°)	
		12-24 VDC	
Power Supply	TX:	less than 130 W	less than 50 W
	RX:	less than 60 W	less than 10 W

ENVIRONMENT

Temperature	Antenna Unit	-35 to +55°C (Storage: +70°C)
	BDE	-15 to +55°C
Relative Humidity		40°C 95%

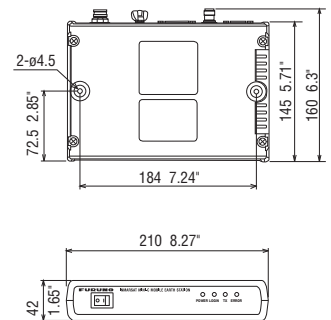
EQUIPMENT LIST

Standard	1 Antenna Unit with 30 m cable IC-118	1 unit	1 Antenna Unit with 30 m cable IC-119	1 unit
	2 Terminal Unit with keyboard IC-218	1 unit	2 Communication Unit IC-219	1 unit
	3 Junction Box IC-318	1 unit	3 Junction Box IC-318*	1 unit
	4 SSAS Alert Unit IC-307*	2 unit	4 SSAS Alert Unit IC-307*	2 unit
	5 Installation materials		5 Installation materials	
	*applicable only for SSAS specification		*applicable only for SSAS specification	
Option	1 Distress Alert/Received Call Unit IC-305		1 AC/DC Power Supply Unit PR-240	
	2 Alarm Unit IC-306		2 SSAS Alert Unit IC-307**	
	3 AC/DC Power Supply Unit PR-240		3 Junction Box IC-318**	
	4 GPS Board Kit		4 Printer PP-520	
	5 SSAS Alert Unit IC-307**		**applicable only for non-SSAS specification	
	6 Printer PP-520			
	**applicable only for non-SSAS specification			

Communication Unit

IC-219

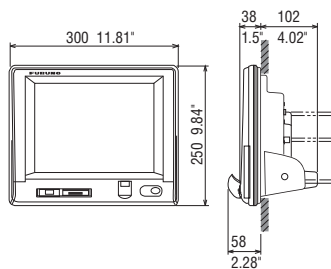
1.2 kg 2.65 lb



Terminal Unit

IC-218

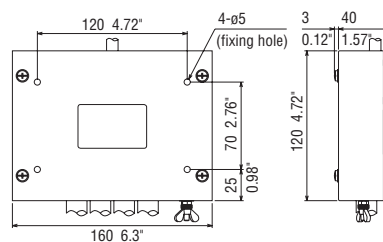
4.2 kg 9.26 lb



Junction Box

IC-318

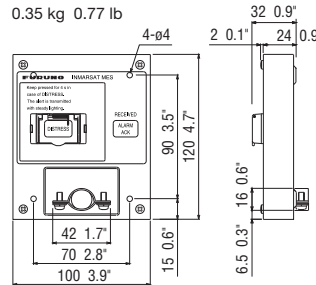
weight: TBC



Distress Alert/Received Call Unit

IC-305

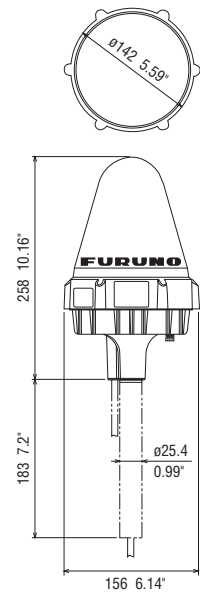
0.35 kg 0.77 lb



Antenna Unit

IC-118/IC-119

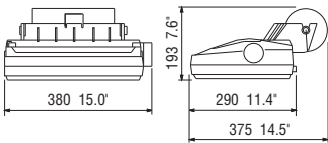
1.4 kg 3.09 lb



Printer

PP-520

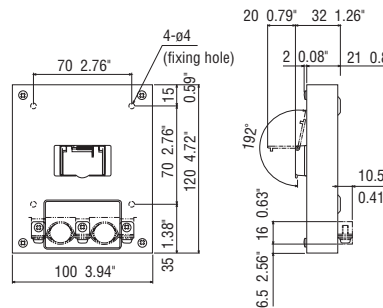
4.8 kg 10.6 lb



SSAS Alert Unit

IC-307

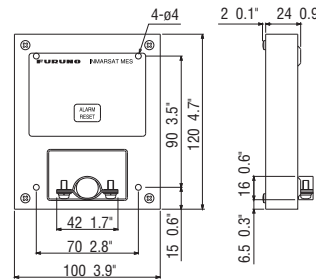
0.35 kg 0.77 lb



Alarm Unit

IC-306

0.33 kg 0.7 lb



All brand and product names are registered trademarks, trademarks or service marks of their respective holders.

SPECIFICATIONS SUBJECT TO CHANGE WITHOUT NOTICE

FURUNO ELECTRIC CO., LTD.
Nishinomiya, Hyogo, Japan
www.furuno.com

FURUNO U.S.A., INC.
Camas, Washington, U.S.A.
www.furunousa.com

FURUNO (UK) LIMITED
Havant, Hampshire, U.K.
www.furuno.co.uk

FURUNO NORGE A/S
Ålesund, Norway
www.furuno.no

FURUNO DANMARK A/S
Hvidovre, Denmark
www.furuno.dk

FURUNO SVERIGE AB
Västra Frölunda, Sweden
www.furuno.se

FURUNO FINLAND OY
Espoo, Finland
www.furuno.fi

FURUNO POLSKA Sp. z o.o.
Gdynia, Poland
www.furuno.pl

FURUNO DEUTSCHLAND GmbH
Rellingen, Germany
www.furuno.de

FURUNO FRANCE S.A.S.
Bordeaux-Mérignac, France
www.furuno.fr

FURUNO ESPAÑA S.A.
Madrid, Spain
www.furuno.es

FURUNO ITALIA S.r.l.
Genoa, Italy

FURUNO HELLAS S.A.
Glyfada, Greece
www.furuno.gr

FURUNO (CYPRUS) LTD
Limassol, Cyprus
www.furuno.com.cy

FURUNO EURUS LLC
St. Petersburg, Russian Federation
www.furuno.com.ru

FURUNO SHANGHAI CO., LTD.
Shanghai, China
www.furuno.com/cn

FURUNO KOREA CO., LTD.
Busan, Korea

RICO (PTE) LTD
Singapore

www.rico.com.sg

14073SK Printed in Japan
Catalogue No. W-3265c