



# ACR Satellite<sub>3</sub> 406™

406 MHz Emergency Position Indicating Radio Beacon



## EPIRB



ACR

Satellite<sub>3</sub> 406™  
406 MHz EPIRB

**BEACON DECAL HERE**  
In the USA, the owner of this 406 MHz EPIRB must register the NOAA Identification code contained on this product with NOAA:  
NOAA SAR/SAT Beacon Registration  
NSOP, E/SPI  
4233 Surtland Road  
Suitland, MD 21078  
www.beaconregistration.noaa.gov

**WARNING:** Use only in situations of grave and imminent danger  
**AVERTISSEMENT:** Utilisez seulement durant les situations extrêmement graves et dangereuses

Background image courtesy of USCG

THE SCIENCE OF SURVIVAL



# ACR Satellite<sub>3</sub>406™

## 406 MHz Emergency Position Indicating Radio Beacon

The ACR Satellite series has quietly built a strong reputation in the commercial and recreational marine industry. This redesigned workhorse utilizes patented, proprietary electronics package for faster, more stable 406 MHz transmissions to low-earth orbiting LEOSAR satellites. In an emergency, your registered, digitally-coded distress message is broadcast via a powerful 6-watt, 406 MHz signal (typically within 1 hour). An integrated 121.5 MHz homing signal then guides local Search and Rescue (SAR) efforts.

connects the Satellite<sub>3</sub>406™ to your vessel's GPS receiver to continuously update and store precise position data. GPS positioning provides SAR notification typically within 2–15 minutes.

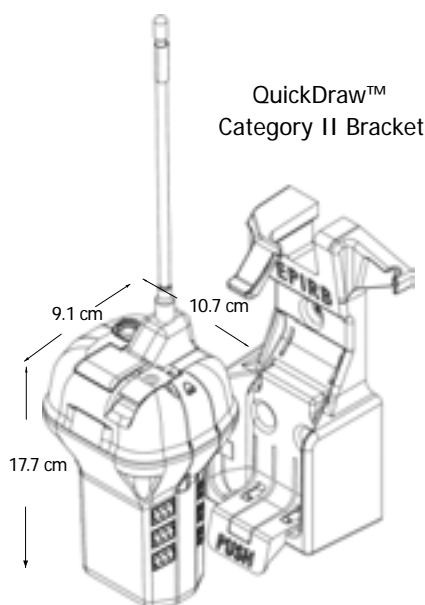
The automatic category I Sea Shelter™ bracket is fully enclosed and is made of high density, UV-stabilized polyethylene for years of extreme abuse, while the manual category II QuickDraw™ has a low profile and is easy to rail mount or secure on deck.

- Full functional self-test including battery voltage and internal circuitry
- Bright LED strobe conserves battery power without sacrificing intensity
- Single, three-position switch for easy test and operation
- Lanyard coiled on recessed spool for nontangling deployment

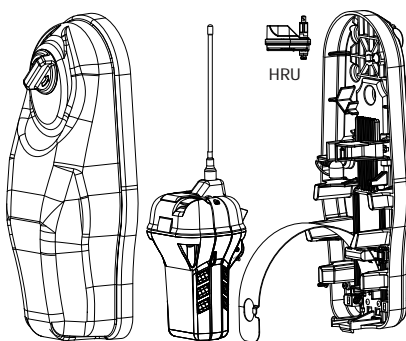
Upgrade to GPS positioning with the optional GPS interface cable (sold separately). This

### SPECIFICATIONS

Product Number	2874 Category I, Class 2 2875 Category II, Class 2
Model Number	RLB-38
Size (no antenna)	17.7 X 10.7 X 9.1 cm
Weight	586 g
Battery	Class 2 (non-hazmat) lithium batteries
Replacement	Replacement due six (6) years from date of manufacture or five (5) years after beacon is placed into service, whichever is first, or after emergency use
Material	High impact UV resistant polymer
Deployment	Category I-Hydrostatic release (auto) Category II-Manual release
Activation	Out of bracket and wet, or manually
Waterproof	10 m @ 10 min. Exceeds RTCM standard
Output Power	6.3 W (406.037 MHz) 50 mW +/-3dB (121.5 MHz)
Operational Life	48 Hours minimum @ -20°C
Typical	-20°C; Longer in higher ambient temperature
Operating Temp.	-20°C to +55°C (Class 2)
Storage Temp.	-34°C to +70°C
Accessories	<ul style="list-style-type: none"> <li>• Sea Shelter<sub>3</sub>™ (P/N 9501)</li> <li>• QuickDraw™ (P/N 9507)</li> <li>• Cat I HydroFix™ HRU (P/N 9490)</li> <li>• Optical GPS Interface Cable-Cat II (P/N 9388), Cat I (P/N 9388.1)</li> </ul>
Approvals	Cospas-Sarsat, USCG, FCC, IC, MED Acceptances: USCG Meets: GMDSS, RTCM, IEC, and IMO standards
Limited Warranty	5 years



QuickDraw™  
Category II Bracket



SeaShelter™  
Category I Bracket

- High Efficiency Electronics
- Audio/Visual Indicators of Active Transmission
- Automatic Activation When out of Bracket and in Water
- Marine Tough Design for Years of Useful Service
- Non-Hazmat Battery
- Made in the U.S.A.
- Lead Free

Distributed by:

[www.ACRARTEX.com](http://www.ACRARTEX.com)

For further information please contact:

ACR Electronics, Inc. • 5757 Ravenswood Road • Fort Lauderdale, FL 33312  
Tel: (954) 981.3333 • Fax: (954) 983.5087 • Email: [sales@acrartex.com](mailto:sales@acrartex.com)

